

Singer 114-51

Form 20486
(152)
Printed in U.S.A.

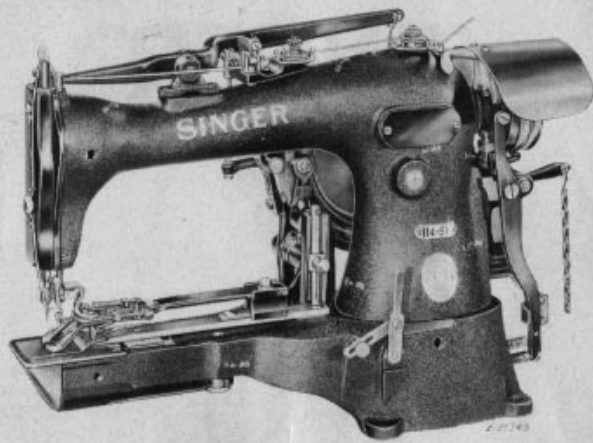
HISTORICAL COPY
DO NOT REMOVE

SINGER**



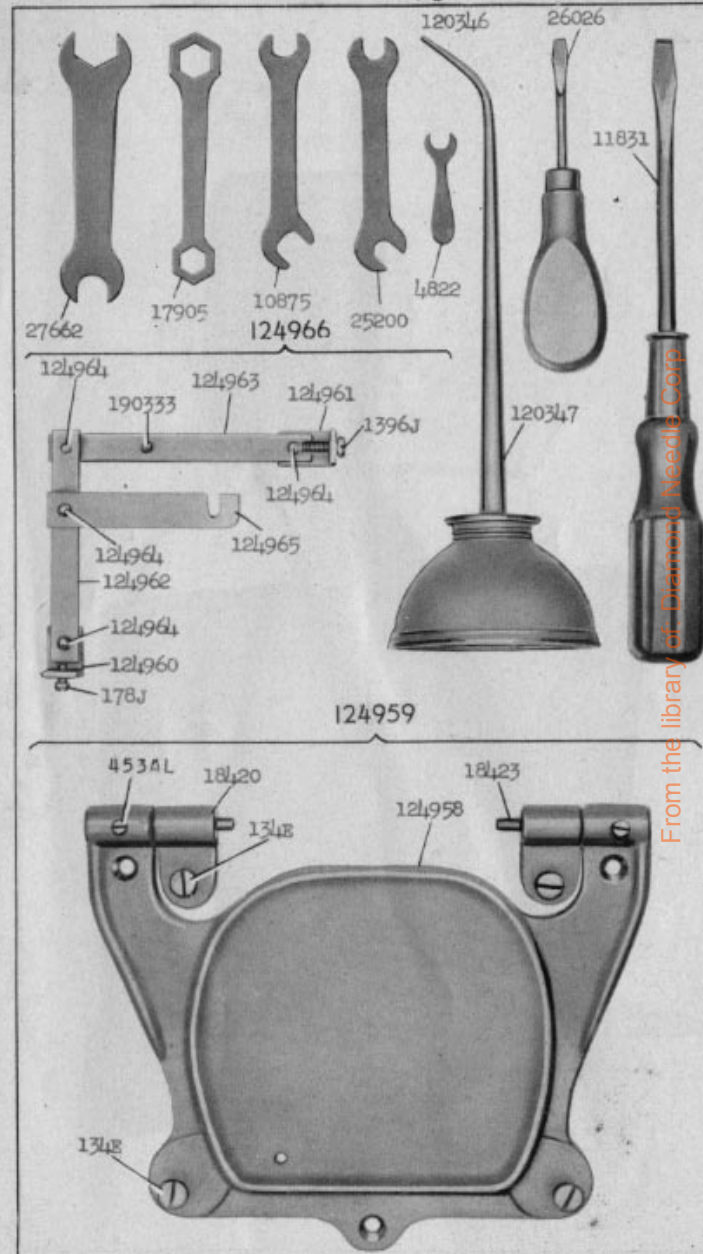
MACHINE No. 114-51

**** A TRADE MARK OF
THE SINGER MANUFACTURING COMPANY**



Copyright, U. S. A., 1940, 1951 and 1952 by
 The Singer Manufacturing Company
 All Rights Reserved for All Countries

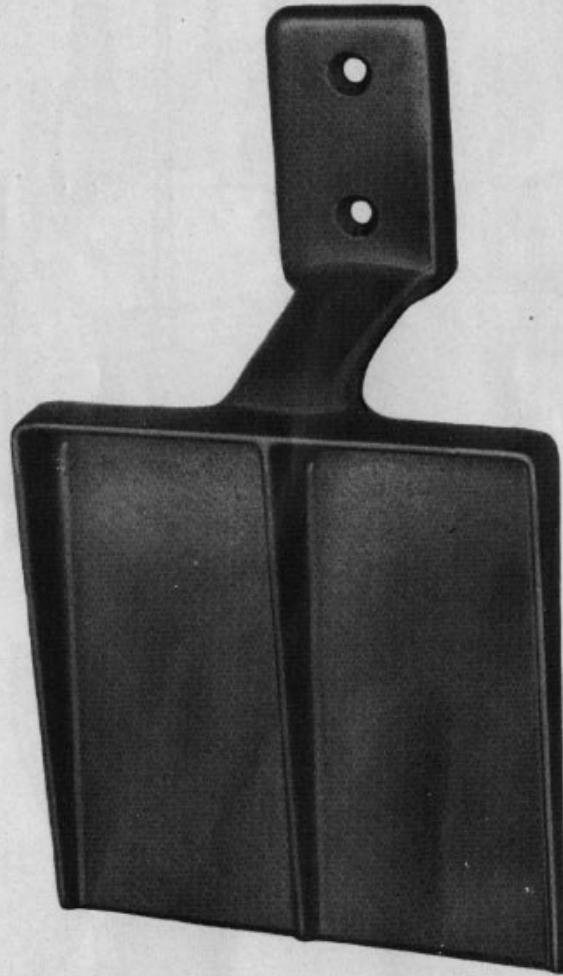
23157 - 1/3



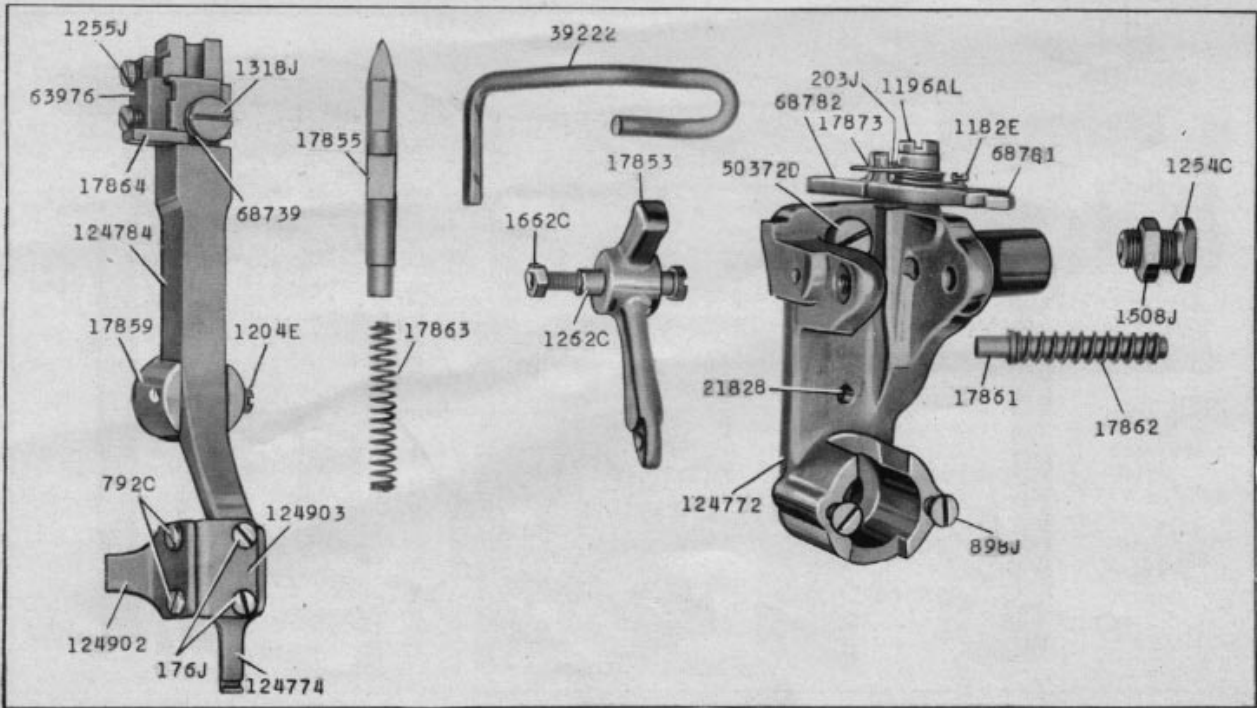
From the library of Diamond Needle Corp

23174 - 1/2

59797

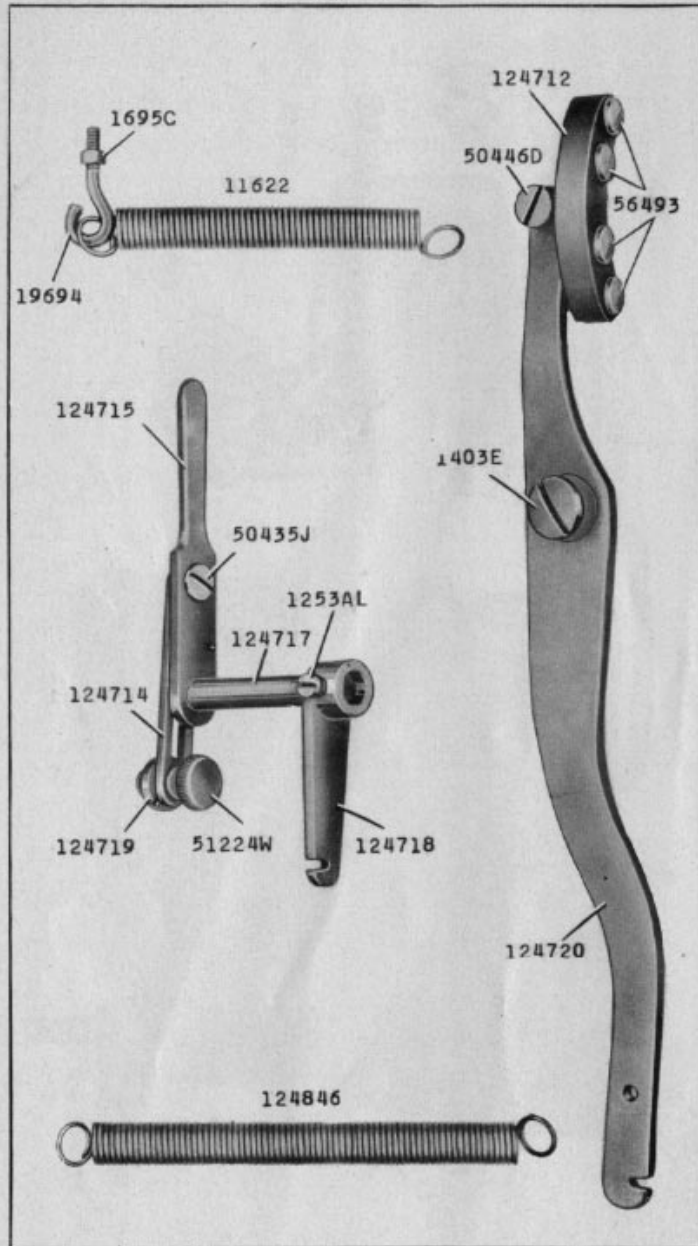


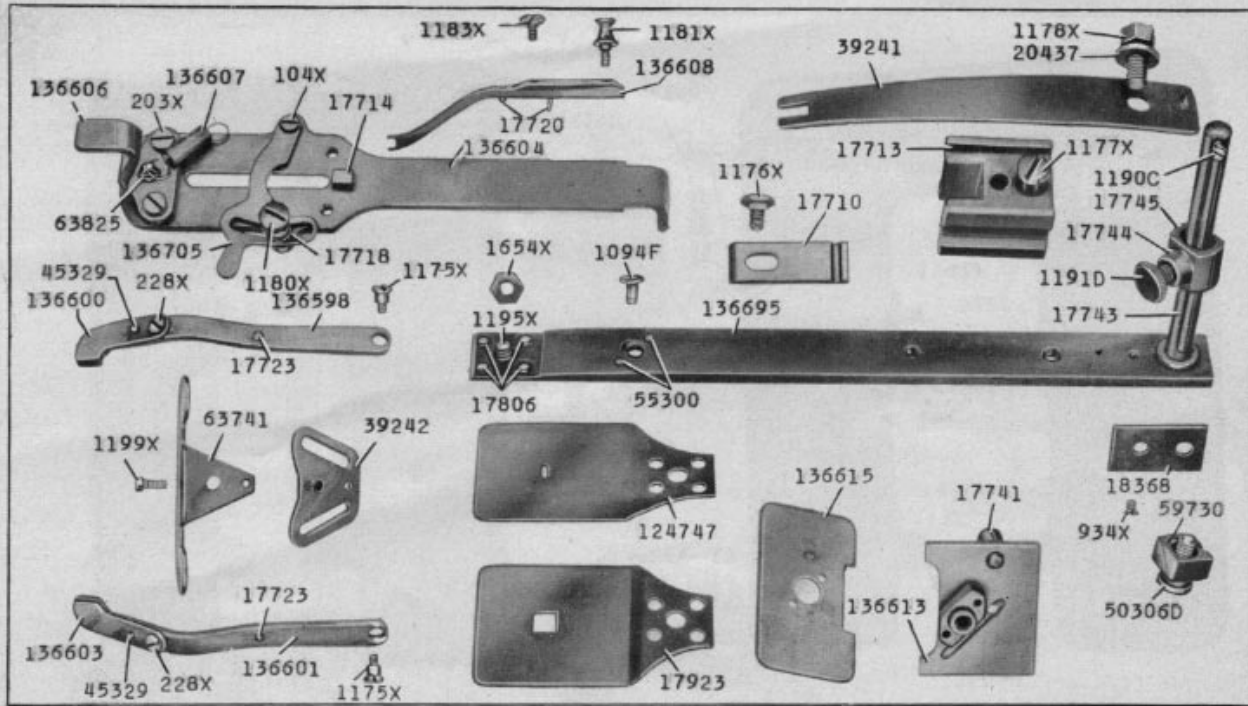
From the library of: Diamond Needle Corp



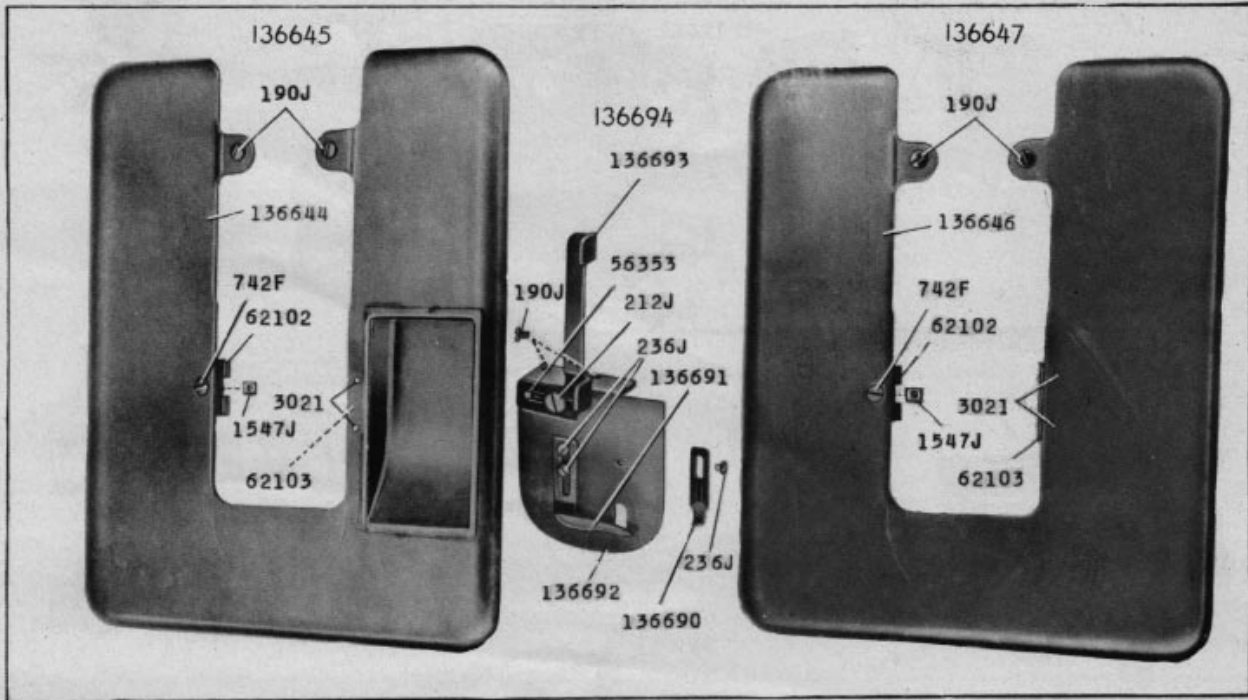
23195-2/3

23196 - 2/3

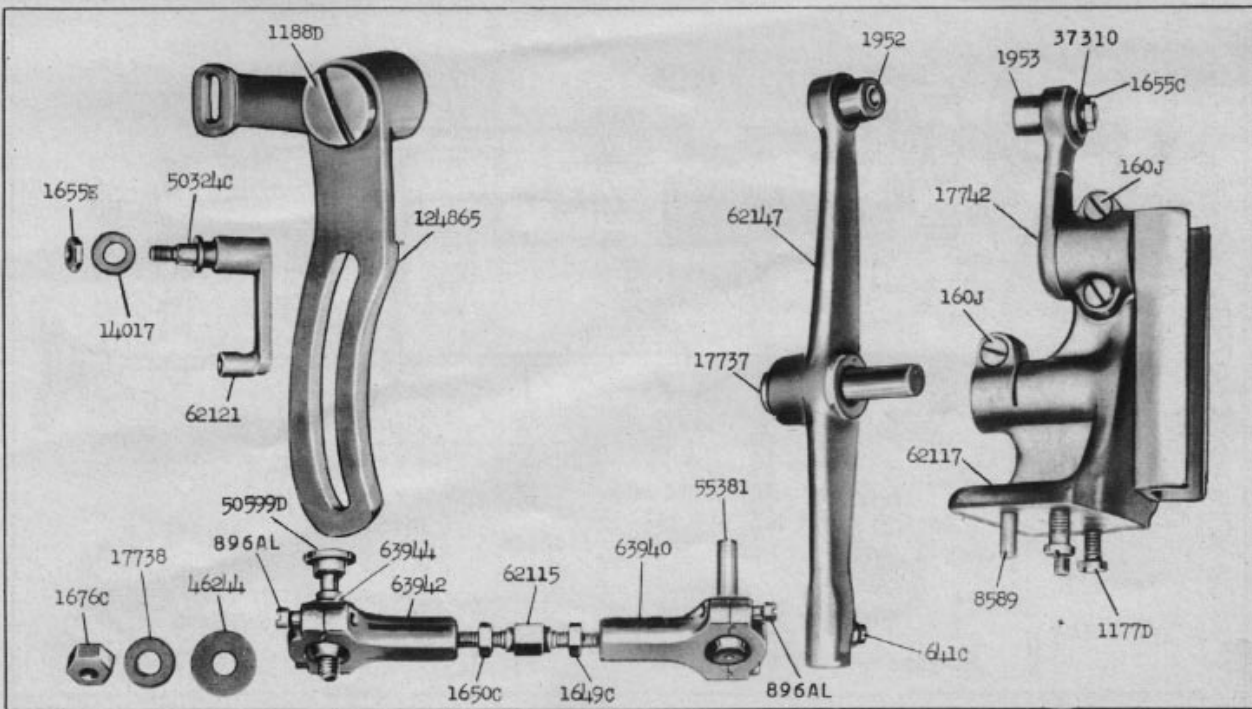




23197-1/2

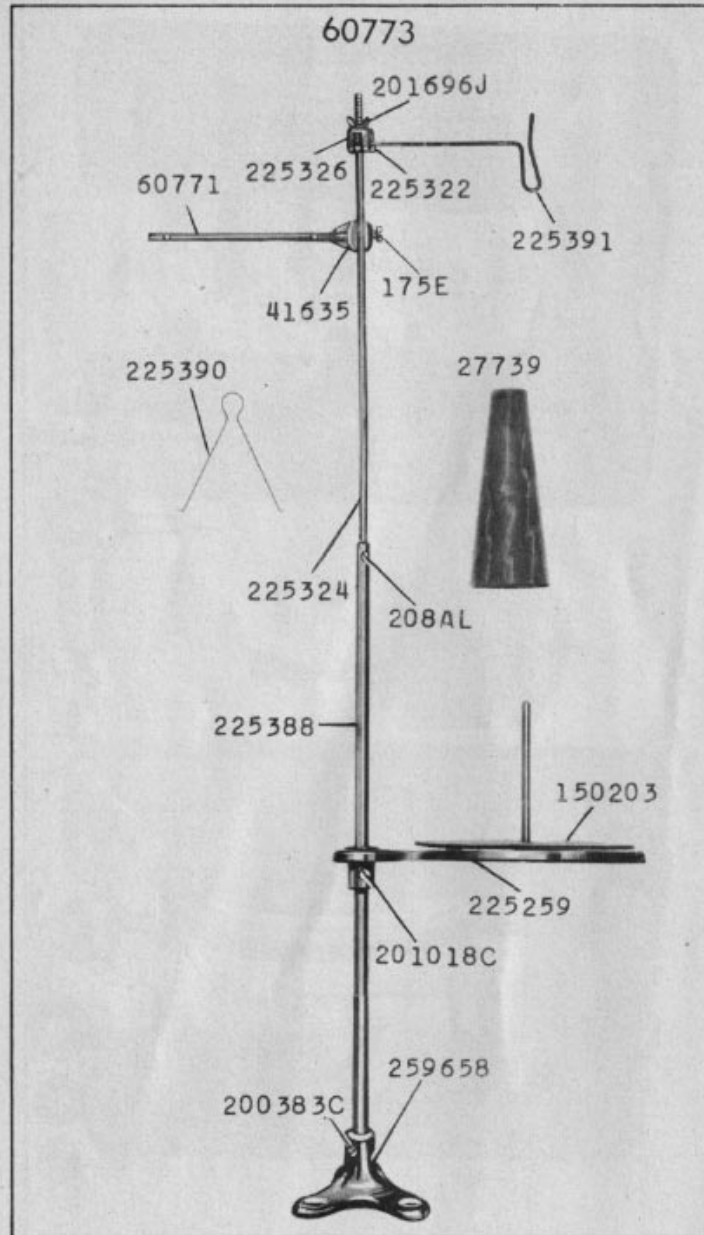


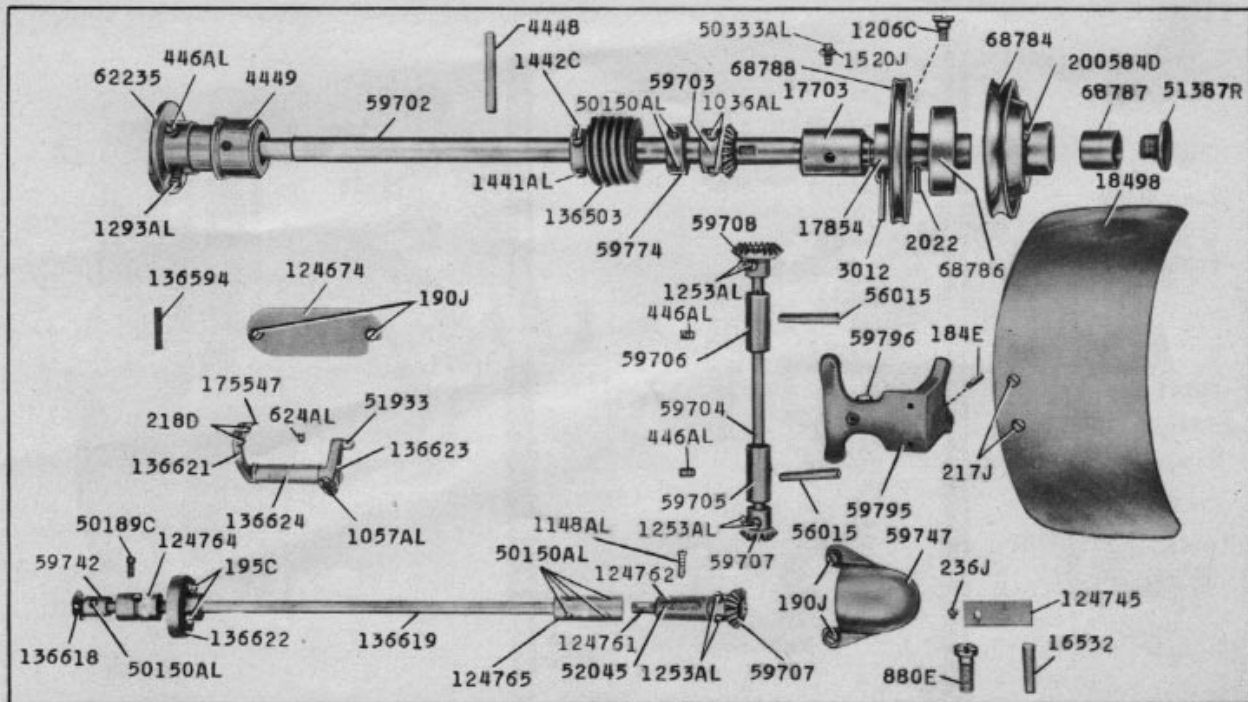
25261 - 1/3



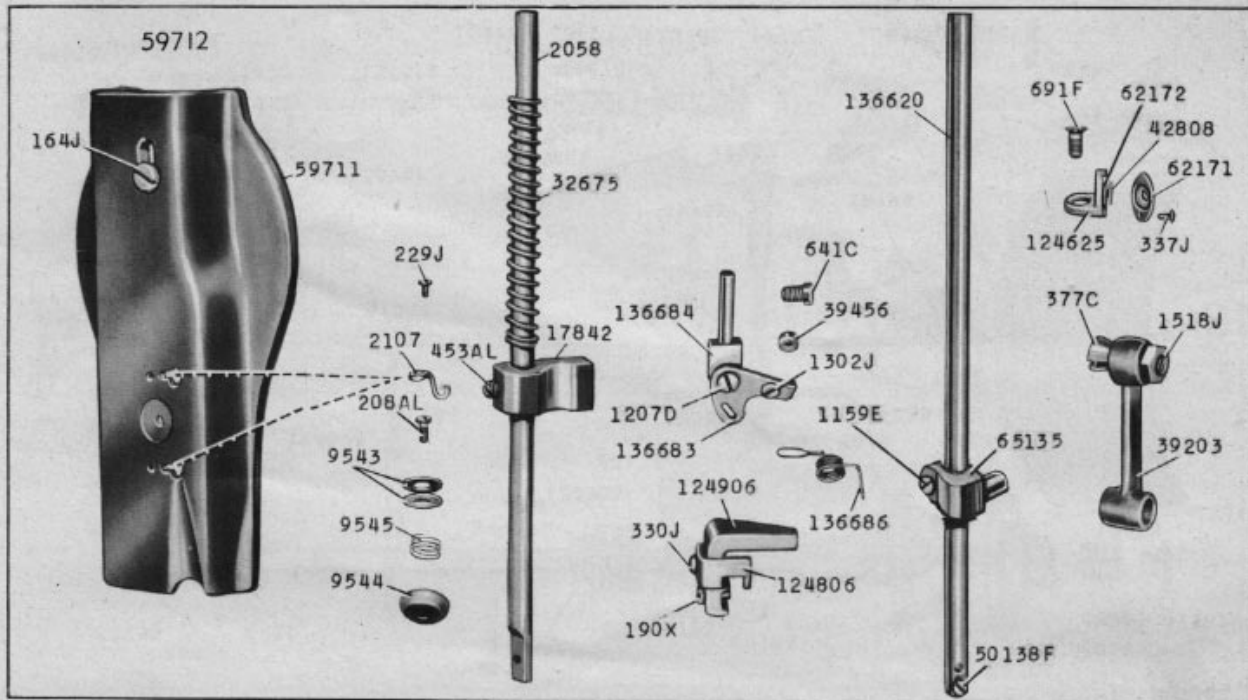
25262 - 1/2

25265 - 1/4

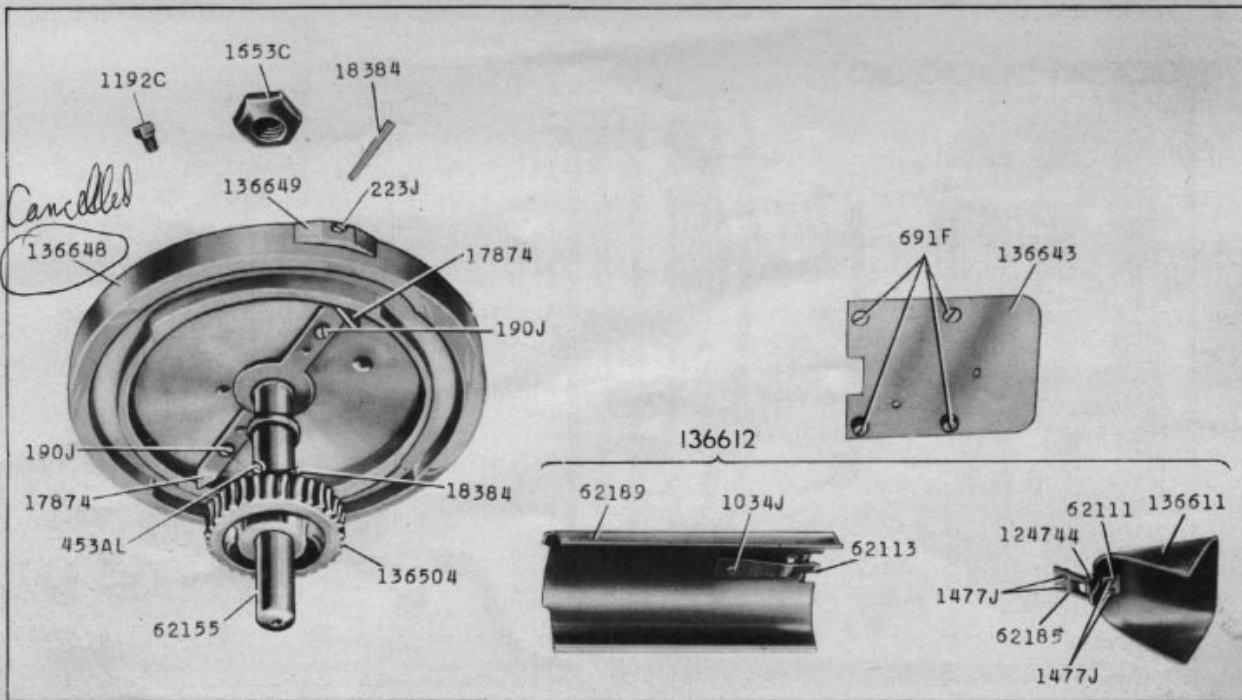




25267-1/4



25269-1/2



25271-1/3

